

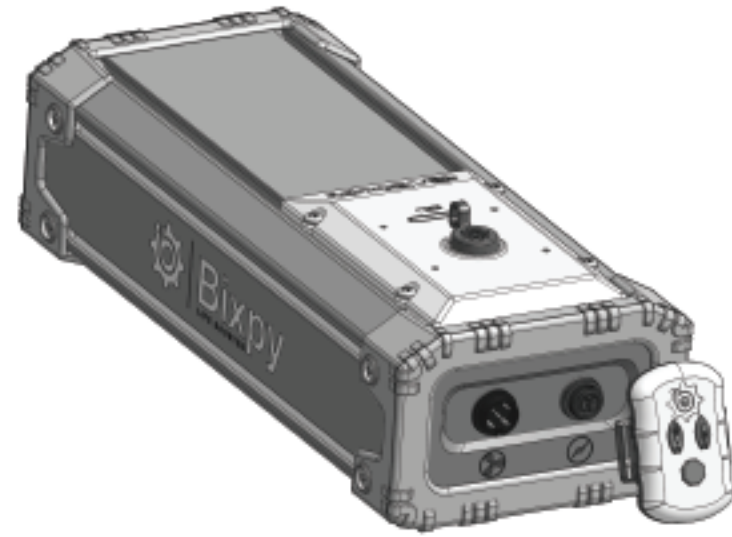


QUICK START GUIDE

Please visit www.bixpy.com/guides to download the full User Manual(s) and care instructions for your Bixpy products. There, you will also find Bixpy Installation guides and minor repair instructions for a variety of items. **DO NOT USE** your Bixpy products until you have read all User Manuals carefully and thoroughly. By using any Bixpy product, you agree to the Safety, Responsibility and Release section in the full User Manual.

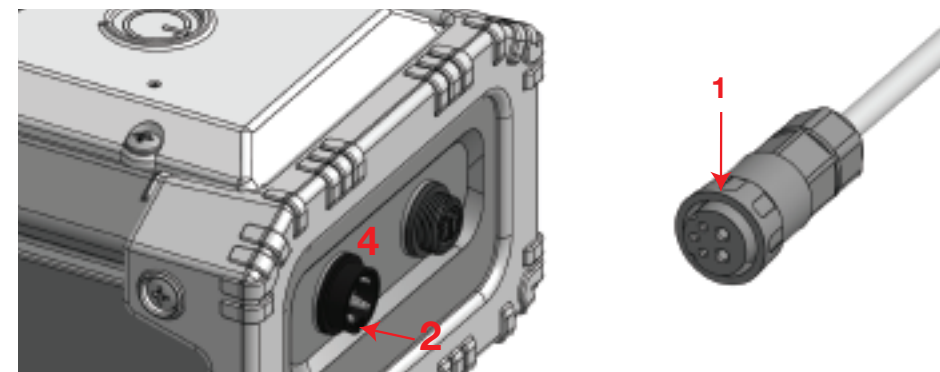
ABOUT YOUR PP-768 POWER PACK

Your new PP-768 Power Pack is a powerful battery with an integrated motor controller system designed to run your Bixpy motors using a long lasting, stable LiFePO₄ battery core, a fast charger and a wireless remote control. Please read the full User Manual before first use and use this quick guide as a reference - available in the Download section of: www.bixpy.com/guides



CONNECTING YOUR MOTOR TO YOUR POWER PACK

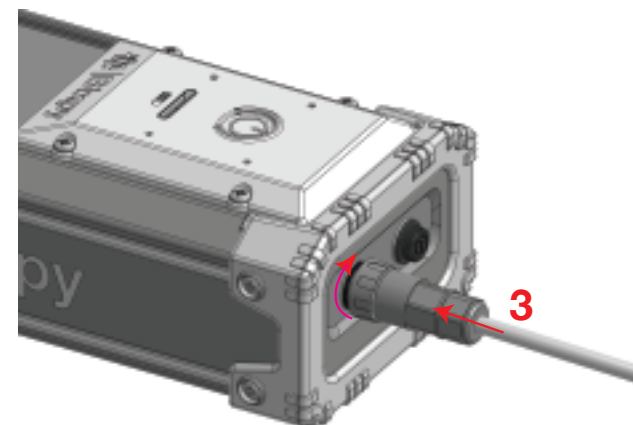
i.



Align the 2 tabs on your motor connector (1) with the two notches on the battery output (2).

Hint: Look for the two tabs inside your connector nut - always double check that your o-ring is in place before mating your connector. Use dielectric grease to make mating easier and prolong the life of your connectors by reducing corrosion.

ii.



- Push your adapter connector (3) into the Power Pack's connector (4)
- Rotate your connector nut 175° until you feel the nut "click" and lock into place.

Hint: watch this instructional video: www.bixpy.com/connect

WARNING:
YOUR BIXPY CONNECTORS ARE ONLY WATERPROOF WHEN MATED PROPERLY and ONLY SPLASH PROOF WHEN EXPOSED!!!

OPERATING YOUR OUTBOARD POWER PACK (OPP)



Your Bixpy Outboard Power Pack turns on and off using the provided magnetic kill switch with leash. Wear your kill switch and leashes on your body at **ALL TIMES**.



Placing your kill switch on your Power Pack will turn your system on and your battery level will be indicated on the white LED battery status window. Six white lit LED lights indicate a full battery and a drained battery will show no lights or a single flashing LED light.

Once your Bixpy Motor is connected and your OPP is activated, you will be able to operate your motor using your Bixpy Remote Control. The Power Pack provides 12 forward speeds, 3 reverse speeds and a full stop function. **DO NOT** run your motor in air at higher speeds or for any significant amount of time. It is okay to run your motor in air at lower speeds for about 5 to 10 seconds for verification purposes.

If your motor is not running as expected and shakes and vibrates or runs in the wrong direction, the most common reason is a poorly mated connector which will lead to water intake and shorting of the connector pins. Remove your connector, dry everything and reconnect your Power Pack following the correct mating procedure.

Repeated failed connections can result in damage to the motor and/or Power Pack which is not covered under warranty.

As your battery drains from use, your white LED indicators will turn off one by one until you reach the last LED. As your battery approaches empty, the last white LED will start flashing to indicate that you will soon lose power. Once the last LED begins to flash, you will have less than 10% of the battery left before it shuts off completely.

SYNCING YOUR REMOTE TO YOUR POWER PACK



Your remote is mated to your PP-768 using Bluetooth technology. Only Bixpy Remotes with the Bluetooth logo will be able to sync to your PP-768. Older Bixpy Remotes will not sync to your PP-768.

To check whether your Remote and Power Pack are already synced, activate your Power Pack using your kill switch. Then press the stop button only. If you hear a series of beeps, then your remote is already synced to your Power Pack.

To sync your remote to your Power Pack, activate your Power Pack using your kill switch. Within 20 seconds after you activate your Power Pack, follow the key sequence below:

- | | |
|---------------|---------|
| Press Stop | 3 times |
| Press Forward | 1 time |
| Press Reverse | 1 time |
| Press Stop | 1 time |



If syncing is successful, you will hear a series of beeps from your battery on the last button press. If not, remove the kill switch, wait 10 seconds and try again.

The Bixpy Remote control is equipped with a watch battery CR2032, a readily available battery on-line or at many retail stores. If the red LED light on your remote is very weak or not lighting up when you press buttons, you will need to replace the battery. Please visit www.bixpy.com/guides for instructions on how to replace your remote battery.

CHARGING YOUR OUTBOARD POWER PACK



The Bixpy Outboard Battery charger that ships with your product (or the appropriate Bixpy solar panel) is the **ONLY** way you should charge your Bixpy Power Packs. Using any other charger or source of electricity can result in a very serious fire and/or explosion. Do not charge your battery under direct sunlight, in extreme temperatures or in wet conditions.

Charge your Power Pack once to full prior to using it for the first time. Do your best to avoid charge interruptions during the first charge. **NEVER** charge your battery unsupervised. **NEVER** trickle charge your battery. Lithium batteries will NOT accept trickle charging.

To charge your Power Pack, plug your charger into your Power Pack first and then into a wall outlet (110V to 240V). The green LED on your charger should light up. If your battery needs a charge, the green LED on your charger will change to red and charging will begin. Charging your Outboard Power Pack from complete drain can take up to 4 to 6 hours. During the last stages of the charge, your charger LED may change from green to red and back to green until the battery pack has been fully charged and balanced, at which point the LED on your charger will turn green and stay green permanently.

During the charging process, your white Power Pack LED lights will flash, indicating your approximate charge level. Near the end of the charge cycle, these white LEDs will all be lit and stay lit until the charger is removed from the Power Pack.

Do not store a drained battery. Charge your Outboard Power Pack once a year even when not in use and monitor its charge status using the kill switch. An over-drained Power Pack may shut off for safety and will be rendered useless. An over-drained battery is not covered under your Bixpy warranty.



www.bixpy.com/UM

TELECHARGEZ LES MANUELS DE L'UTILISATEUR EN FRANCAIS

BAIXE O MANUAL DO USUÁRIO EM ESPANHOL

BAIXAR O MANUAL DO USUÁRIO EM PORTUGUÊS

SCARICA I MANUALI DELL'UTENTE IN ITALIANO

LADEN SIE DIE BENUTZERHANDBÜCHER IN DEUTSCH HERUNTER

OTHER FEATURES



In case your Bixpy Remote is out of battery, lost or misplaced, you can start your Bixpy motor at about 50% output using your kill switch. Place your kill switch to turn on your Power Pack (your LED status indicators should be on). Then quickly remove and tap the kill switch area 4 times. On the 4th tap, leave the kill switch on the battery. Your battery will emit a long beep and start your motor at roughly 50% output. To see a video demonstration of this procedure visit: www.bixpy.com/4taps. Stop the motor by removing the kill switch.



Your PP-768 Outboard Power Pack does not float in water. Although this Power Pack is waterproof and can withstand short periods of shallow submersion, it is not recommended for full submersion and may take on water. Avoid submersing the unit.



The Bixpy Remote control is positively buoyant and will withstand short and temporary submersion to about 2m (6 feet). DO NOT operate the remote control when submersed.



Your remote allows you to increase your speed to the maximum speed right away by double clicking your forward button. To do this, click your forward button once and within about 2 seconds click and hold your forward button one more time until you hear a longer beep, indicating your motor is about to start at full speed forward. Once in full speed forward, you can reduce your speed using the reverse button, or simply stop the motor using the Stop button.



The brains of your PP-768 are in the white plastic portion of the battery. This portion of the battery is removable for servicing or for later interchange and upgrades. Please refer to the full User Manual for instructions or contact the Bixpy Support team for assistance. Please note that once removed, your battery will lose much of its waterproofness. Do not remove this portion in wet environments.



Your PP-768 offers standard built-in rails to allow you to add additional carry handles or to secure the battery to your watercraft or to secure other accessories to the battery's aluminum body.

WARNINGS AND PRECAUTIONS



• **NEVER** use your device to go further than you can swim, paddle or pedal back on your own power



• Like any other device, there is a chance of product failure, accidental damage or battery drainage. Always ensure that such failure will not put you or others in danger

• Never use under the influence of drugs or alcohol

• Must be used by children only under adult supervision

• Always wear an approved Personal Flotation Device (PFD)

• Always rinse or run in clean fresh water after use in salt water

• Never expose bare connectors to water. Use connector caps when connectors are not mated

• Store between 0°C to 55°C (32°F to 131°F)

• Operate between -20°C to 60°C (-4°F to 140°F)

• Do not use harsh chemicals to clean any Bixpy products

• Lithium batteries CANNOT be connected in parallel like conventional batteries. Doing so WILL result in a fire and/or explosion

• Tampering, opening of the case or modification to the batteries will void your warranty and may cause fires/explosions

• Do not power other devices or motors using Bixpy batteries

• You cannot run Bixpy motor using other batteries

• Do not keep Outboard Power Pack under direct sunlight or in a parked vehicle for extended periods

• DOWNLOAD AND READ THE USER MANUAL IN FULL BEFORE USE (www.bixpy.com/guides)

• By using any Bixpy product, you agree to the Safety, Responsibility and Release section in the full User Manual and the Bixpy website (www.bixpy.com/legal).

QUESTIONS? COMMENTS?

Email: support@bixpy.com

User manuals and installation instructions, pictures and videos:

www.bixpy.com/guides

info@bixpy.com

www.bixpy.com

1-866-BIXPY-10

www.facebook.com/bixpy

www.youtube.com/bixpy

www.instagram.com/bixpybatteries